



Housing Mounts

American Dynamics offers an assortment of universal wall mounts suitable for indoor and outdoor camera housings. These mounts are constructed of rugged aluminum components, and some models are available with integrated (unexposed) cable routing. The units have been engineered for easy installation and adjustment, and are quality-built for a longer product life. All models are available as fixed position mounts with adjustable swivel heads.



FEATURES

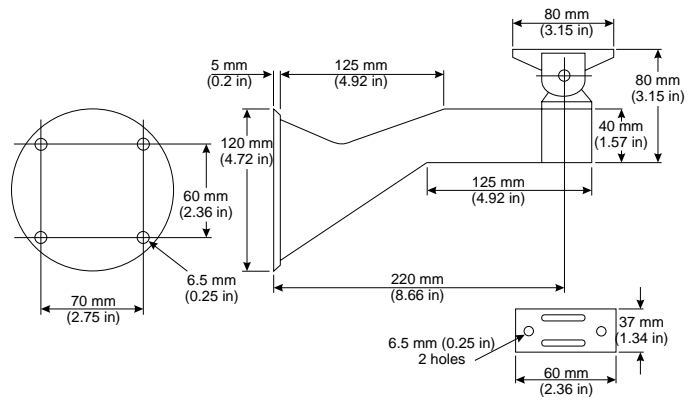
- Indoor/outdoor mounts
- Up to 8 kg (18 lbs) load capacity
- Adjustable swivel head
- Beige or black enamel finish to complement housings
- Concealed cabling (except AD1373B)

- AD1371C Wall mount for AD1315 Series housing - beige
- AD1372C Wall mount for AD1335 Series housing - beige
- AD1373B Wall mount for AD1348-14 housing - black

SPECIFICATIONS

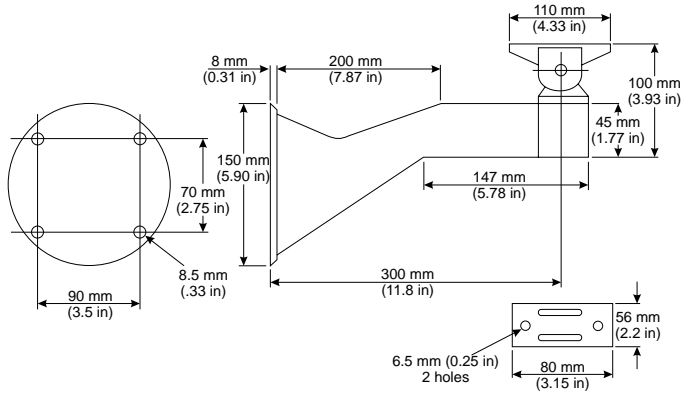
AD1371 Series

Material Aluminum
 Weight 1.0 kg (2.2 lbs)
 Shipping Weight 1.2 kg (2.6 lbs)



AD1372 Series

Material Aluminum
 Weight 1.3 kg (2.8 lbs)
 Shipping Weight 1.5 kg (3.3 lbs)



AD1373B

Material Aluminum
 Weight 1.0 kg (2.2 lbs)
 Shipping Weight 1.2 kg (2.6 lbs)

