

## Zoom Lenses

The extensive line of American Dynamics color corrected, vibration resistant, high quality zoom lenses provides price competitive solutions for diverse view requirements. These lenses, with their compact configuration, are available with both C and CS mounts.

Focus and zoom drives use high quality, long life motors with protective clutch assemblies that prevent damage. Iris control is accomplished by automatic galvanometer movement, gear drive or, where operator control is necessary, motor drive.

Versions of lenses are available for motorized iris control, as well as either DC or EE auto iris control.



### FEATURES

- 1/3-inch format
- 1/2-inch format
- C and CS mounts
- Color corrected optics
- Long life drive motors
- 10x and 12x zoom
- Available with preset options
- Built-in auto iris EE amplifiers and camera driven DC auto iris

**SPECIFICATIONS**

Model Number	Focal Length	Aperture (f-stop)	Zoom Ratio	Presets	Lens Format	Mount	View Angle		Minimum Object Distance	Filter Screw Size	Weight
							Horizontal	Vertical			
<b>Variable Focal Length – DC Iris</b>											
LZ067212A	6.0 to 72.0 mm	f1.2 - 360	12x	No	1/3-inch	CS	43.1° to 3.9°	32.6° to 2.9°	1.50 m (5.00 ft)	49.0 x .75 mm	460 g (1.01 lbs)
<b>Variable Focal Length – EE Iris</b>											
LZ067212AP	6.0 to 72.0 mm	f1.2 - 360	12x	Yes	1/3-inch	CS	43.1° to 3.9°	32.6° to 2.9°	1.50 m (5.00 ft)	49.0 x .75 mm	640 g (1.40 lbs)
LZ088012A	8.0 to 80.0 mm	f1.2 - 360	10x	No	1/2-inch	C	42.9° to 4.6°	32.7° to 3.5°	1.50 m (5.00 ft)	62.0 x .75 mm	900 g (198 lbs)
LZ088012AP	8.0 to 80.0 mm	f1.2 - 360	10x	Yes	1/2-inch	C	42.9° to 4.6°	32.7° to 3.5°	1.50 m (5.00 ft)	62.0 x .75 mm	920 g (200 lbs)

**Dimension Chart**

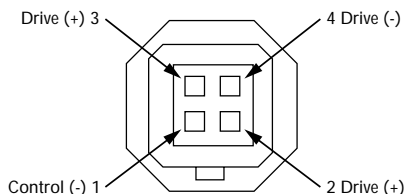
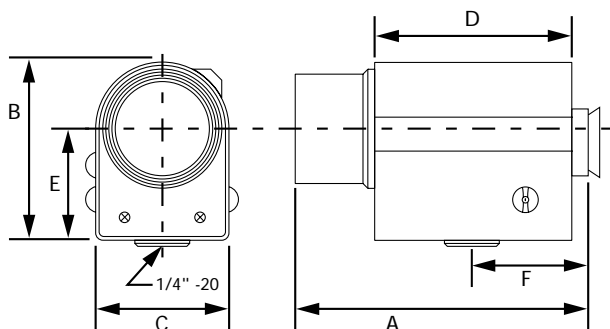
Model Number	A	B	C	D	E	F
<b>Variable Focal Length – DC Iris</b>						
LZ067212A	104.5 mm (4.11 in)	69.0 mm (2.72 in)	62.0 mm (2.44 in)	74.1 mm (2.92 in)	38.0 mm (1.50 in)	59.5 mm (2.34 in)
<b>Variable Focal Length – EE Iris</b>						
LZ067212AP	104.2 mm (4.10 in)	79.0 mm (3.11 in)	66.0 mm (2.60 in)	88.0 mm (3.19 in)	46.0 mm (1.81 in)	38.5 mm (1.52 in)
LZ088012A/LZ088012AP	123.0 mm (4.84 in)	93.7 mm (3.69 in)	80.0 mm (3.15 in)	110.6 mm (4.36 in)	53.7 mm (2.11 in)	42.1 mm (1.86 in)

**Motor Specifications**

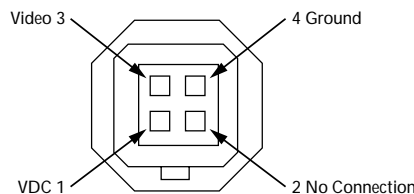
Control Voltage .....12 VDC  
 Current .....50 mA  
 Zoom Travel Time .....4 - 6 seconds

**EE Iris Specifications**

Control Voltage .....8 - 18 VDC  
 Current .....< 30 mA  
 Input Signal .....0.5 - 1.0 Vp-p  
 Response Time .....< 3 seconds



**DC Iris Connector Details**  
(solder side of connector)



**EE Iris Connector Details**  
(solder side of connector)

The Auto Iris Lens connectors are compatible with all American Dynamics cameras.