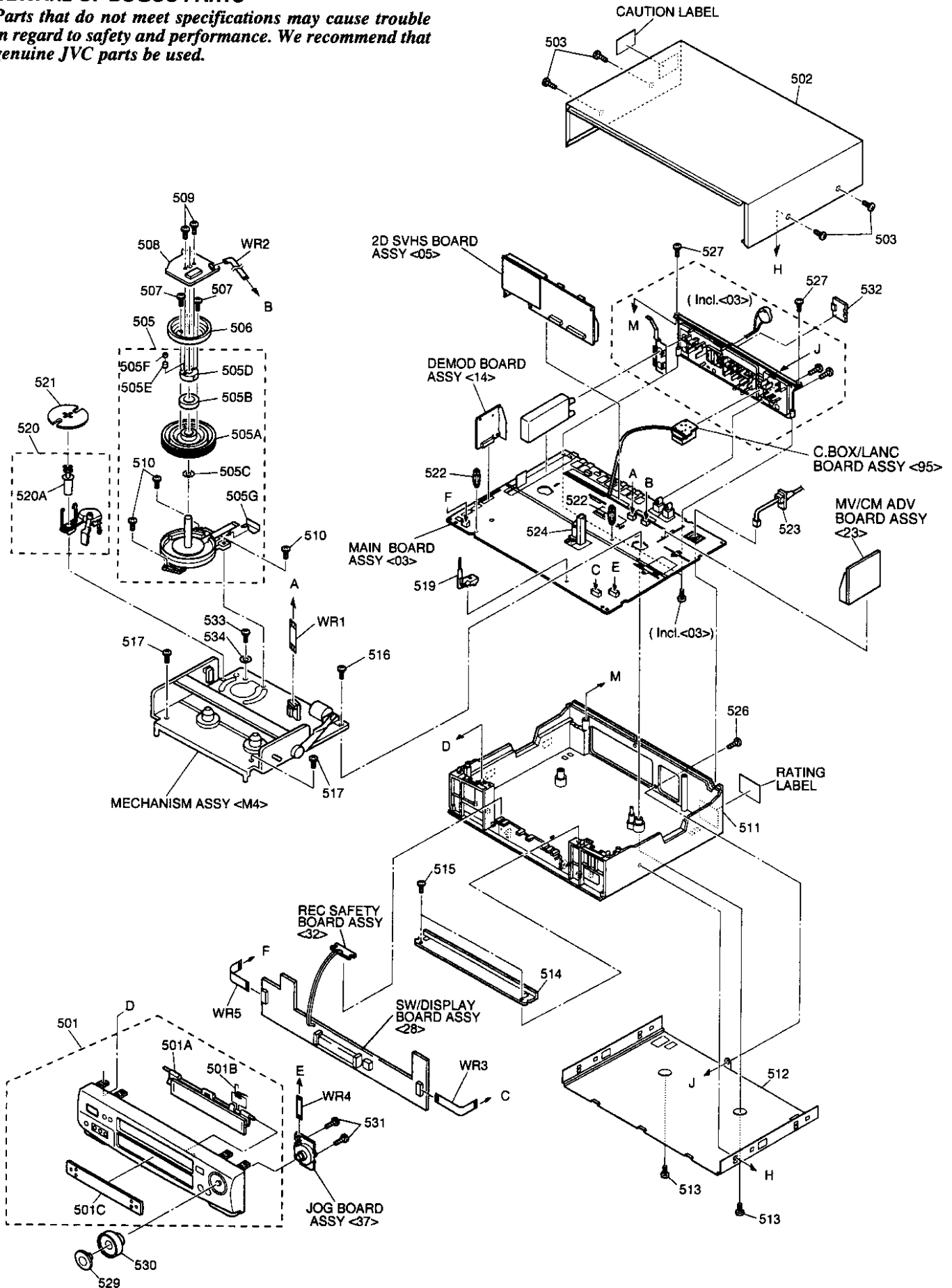


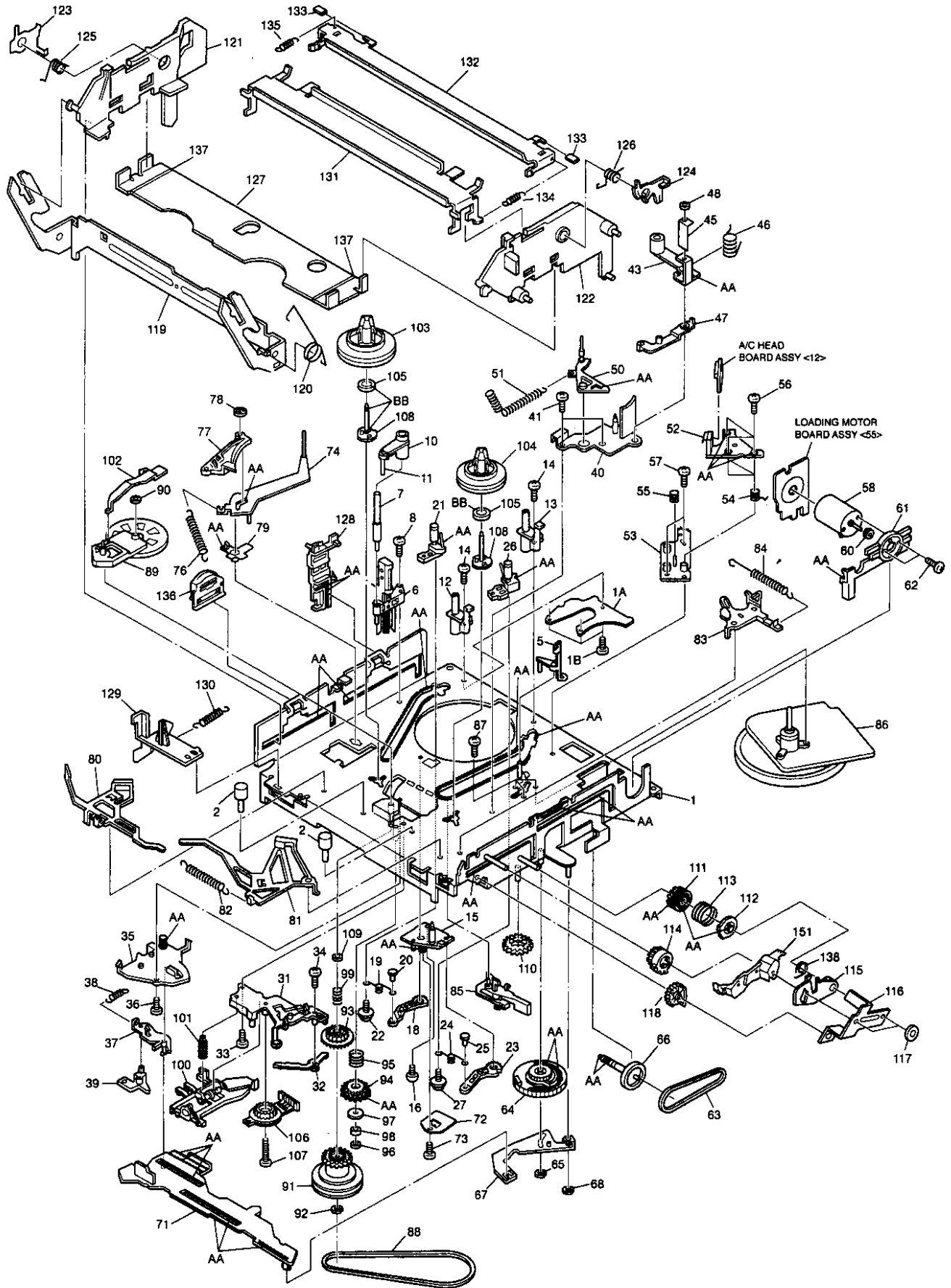
5.2 CABINET AND CHASSIS ASSEMBLY <M2>

BEWARE OF BOGUS PARTS

Parts that do not meet specifications may cause trouble in regard to safety and performance. We recommend that genuine JVC parts be used.



5.3 MECHANISM ASSEMBLY <M4>



| Classification | Part No. | Symbol in drawing |
|----------------|------------|-------------------|
| Grease | KYODO-SH-P | AA |
| Oil | COSMO-HV56 | BB |

NOTE: The section marked in AA and BB indicate lubrication and greasing areas.