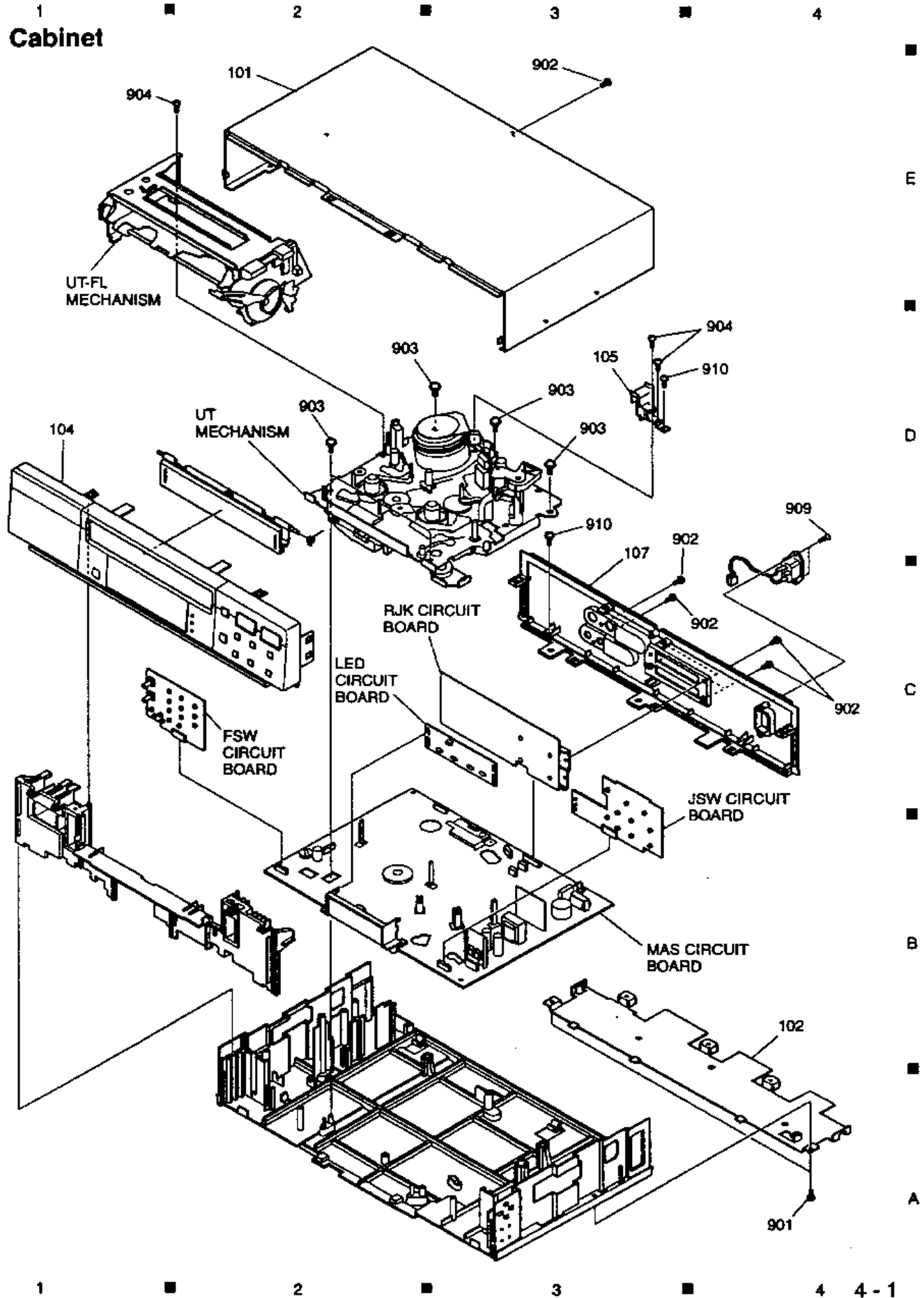


1. Cabinet

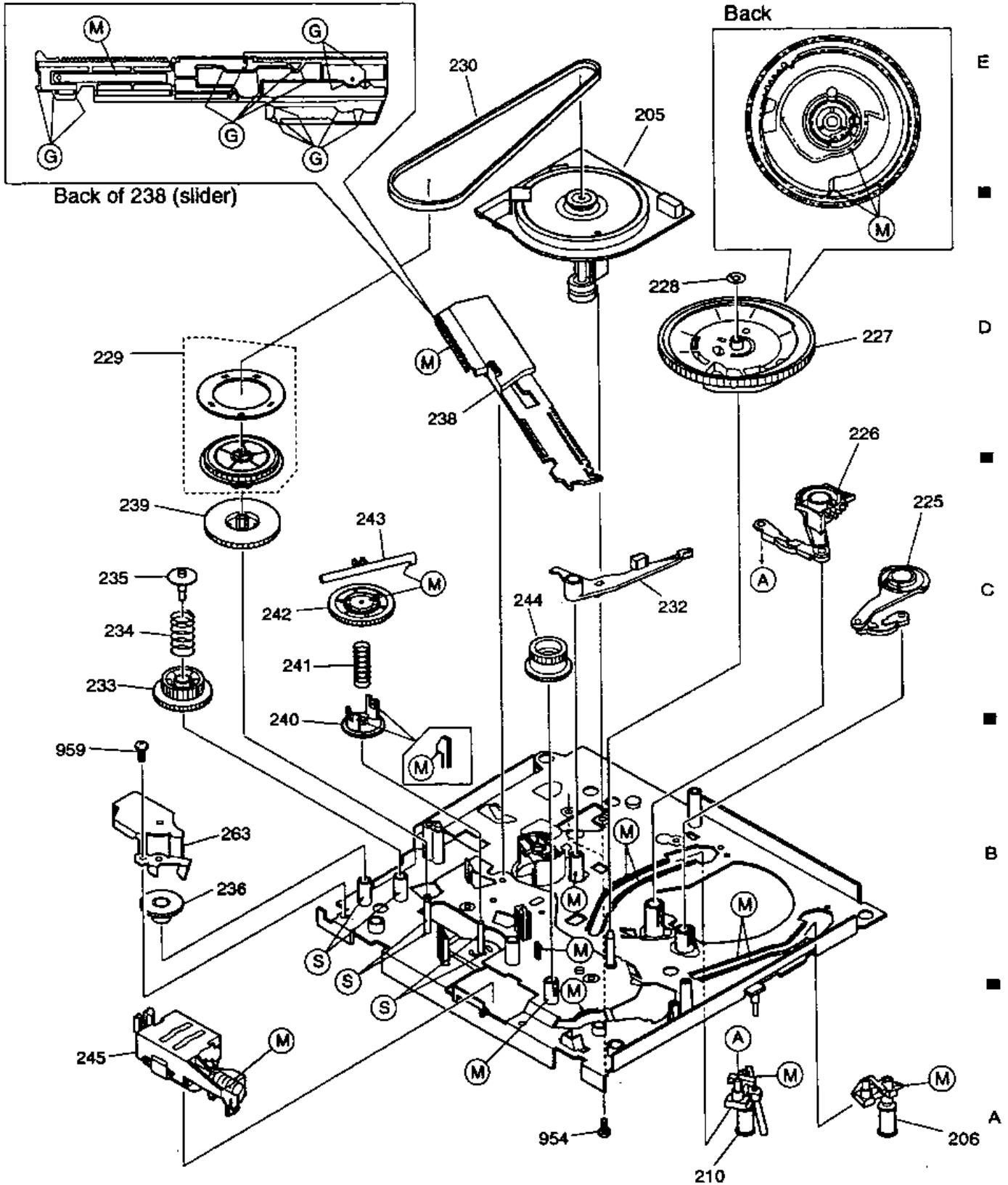


3. UT Mechanism [Bottom view]

(G) : Silicone (G-332)

(M) : Molicoat (PG-641)

(S) : Sonic Slidas oil (#1600)



Back of 238 (slider)

Back

229

239

235

234

233

959

263

236

245

230

205

(M)

238

243

242

241

240

(M)

244

232

228

226

225

(A)

(A)

210

954

(M)

206

4. UT-FL Mechanism

- ⓐ : Silicone (G-332)
- Ⓜ : Molicoat (PG-641)

E

D

C

B

A

