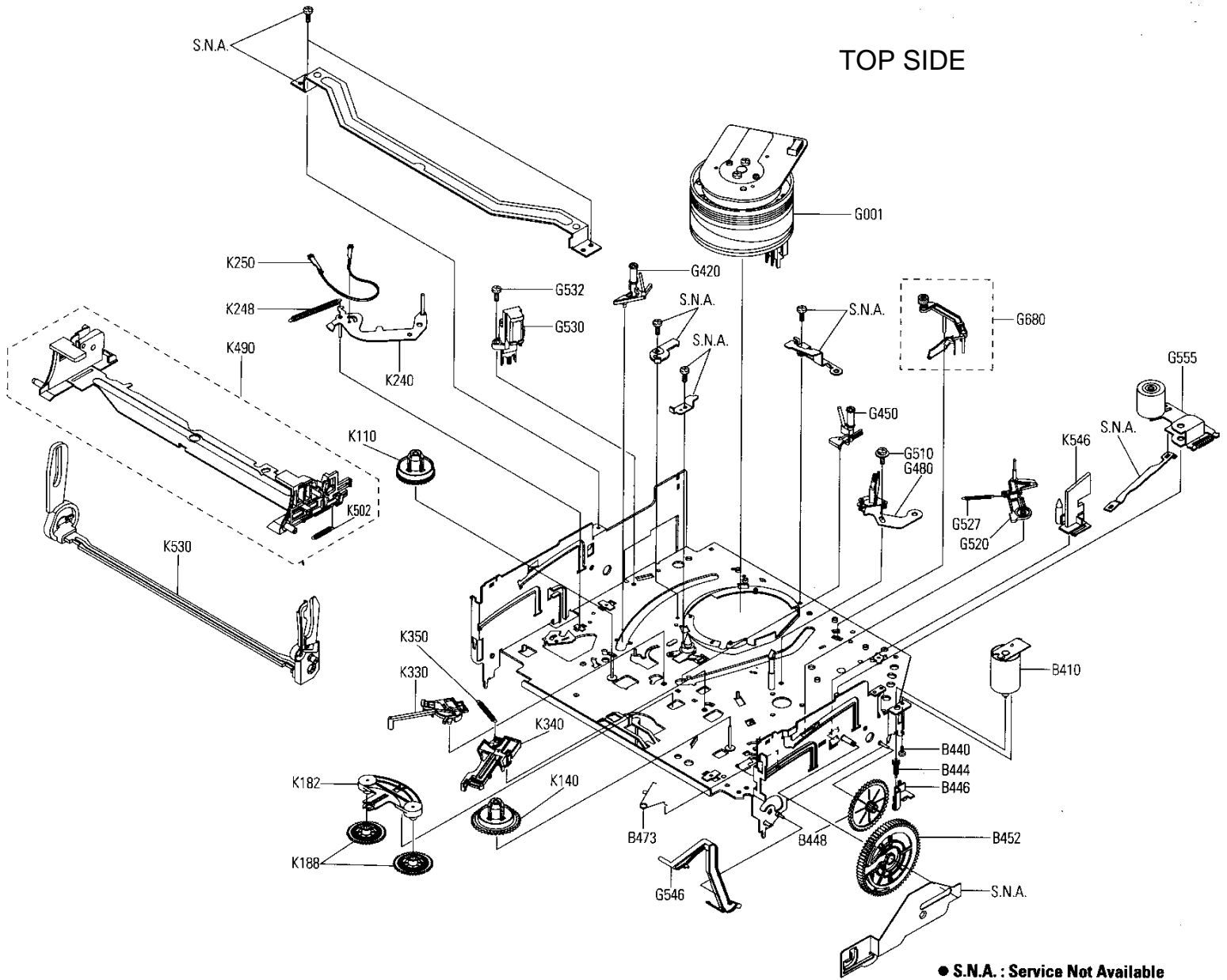
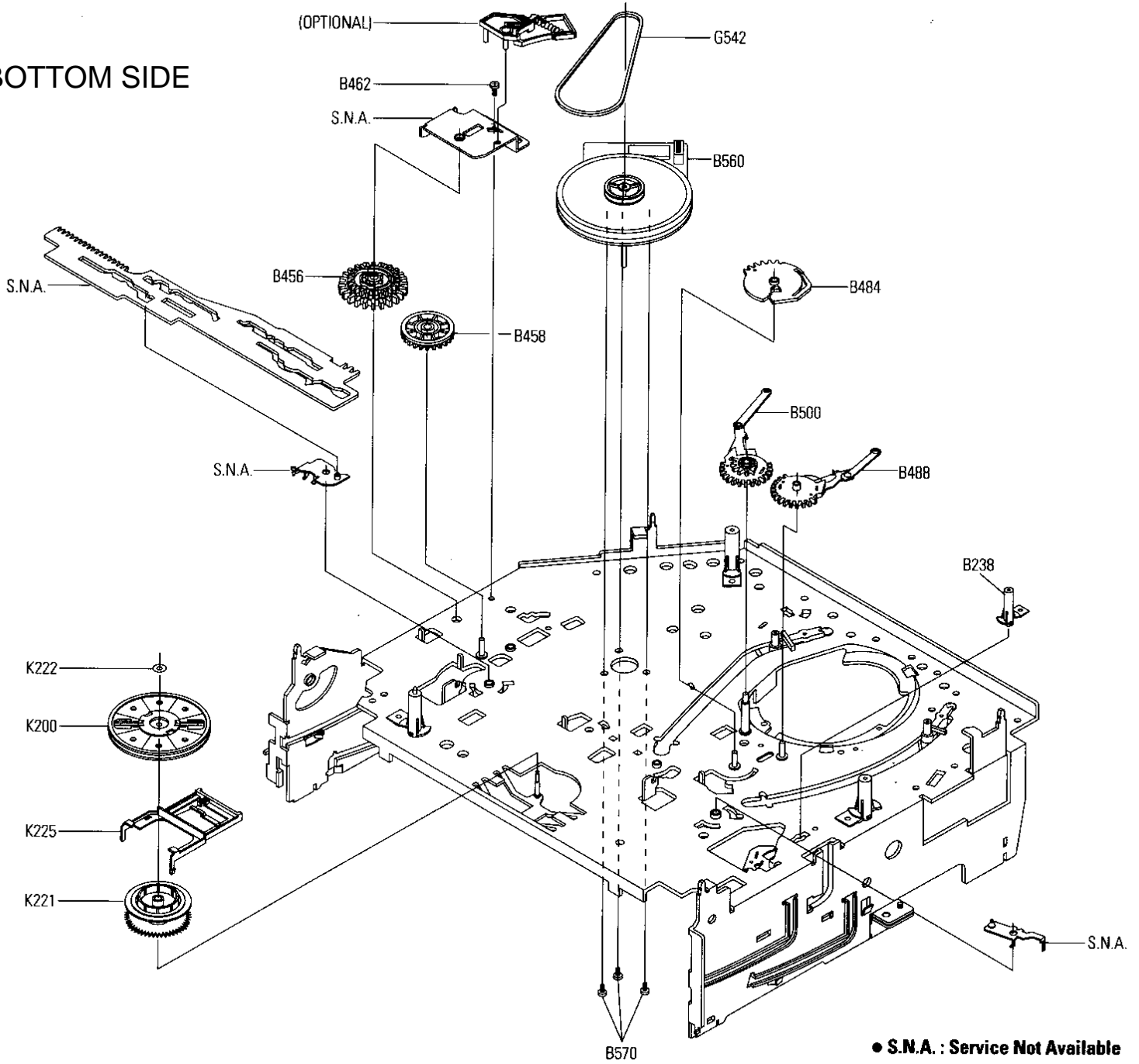


TOP SIDE



BOTTOM SIDE



Parts List - Top Side

B410	AC31-12016A	MOTOR-LOADING ASSY;-,-,X-9
B440	AC60-10515A	SCREW-MACHINE;-,-,PH,+,-,M3,L3,ZPC,-,YEL
B444	AC66-20571A	GEAR-WORM;-,-,POM SW-01,0.5,2,-,4.5,X-9
B446	AC61-21005A	HOLDER-WORM;-,-,POMM90-44,-,-,X-9
B448	AC66-20573A	GEAR-WORM WHEEL;-,-,POM SW-01,0.6,11,-,6.6
B452	AC66-20575A	GEAR-FL CAM;-,-,POM SW-01,M0.6,Z88,-,PCD58
B473	AC61-60559A	SPRING-PINCH DRIVE;-,-,TS,SUS304,PI0.5,OD4
G001	see catalog	ASSY-CYLINDER;CX-9, NTSC 4HD DLC.REALTIME
G420	AC66-80142A	SLIDER-SUPPLY ASSY;-,-,X-9(TS),-,-,X-9
G450	AC66-80141A	SLIDER-TAKE UP ASSY;-,-,X-9(TS),-,-,X-9
G480	AC33-10217H	HEAD-ACE ASSY;-,-,-,X-9
G510	AC60-10518A	SCREW-TAP TITE;-,-,PH,+,-,SW+ZW,M2.6,L5.6,ZP
G520	AC66-30539A	LEVER-#9 GUIDE ASSY;-,-,X-9(TS),-,-,X-9
G527	AC61-60553A	SPRING-#9 GUIDE;-,-,ES,SUS304-WPB,OD3.1,0.
G530	AC33-10217G	HEAD-FE;VAA00000275,-,-,-,X-9
G532	AC60-10519A	SCREW-TAP TITE;-,-,PH,+,-,M2.6,L8,ZPC
G546	AC66-30535A	LEVER-FL DOOR;-,-,POM M90-44,-,-,BLK,X-9
G555	AC59-90403A	UNIT-PINCH ASSY;X-9,-
G680	AC66-30557A	LEVER-H/CLEANERASSY;-,-,POM+URETHANE,-,- (OPTIONAL)
K110	AC66-10267A	REEL-DISK S;-,-,POM M90-44,-,-,X-9
K140	AC66-10268A	REEL-DISK T;-,-,POM M90-44,-,-,X-9
K182	AC66-30524A	LEVER-IDLER;-,-,POM9044,-,-,-
K188	AC66-20577A	GEAR-IDLER;-,-,PEBAX7033,-,-,-,X-9
K240	AC66-30538A	LEVER-TENSION ASSY;-,-,X-9(TS),-,-,X-9
K248	AC61-60554A	SPRING-TENSION LEVER;-,-,ES,SUS304-WPB,OD3
K250	AC63-12029A	BAND-BRAKE ASSY;-,-,X-9(TS),-,-,-,X-9
K330	AC66-30550A	LEVER-S.BRAKEASSY;-,-,POM+SUS,-,-,-,X-9
K340	AC66-30549A	LEVER-T.BRAKEASSY;-,-,POM+SUS,-,-,-,X-9
K350	AC61-60564A	SPRING-BRAKE;-,-,TENSION,SWP-A,0.25,3,-,X-
K490	AC61-21010B	HOLDER-CASSASSY;-,-,SECC+POM+SUS,-,-,-,X-
K502	AC61-60561A	SPRING-FL.LEVER-LR;-,-,ES,SUS304WPB,PI2.7
K530	AC66-30546A	LEVER-FL.ARMASSY;-,-,SECC+POM+SUS,-,-,-,
K546	AC61-50658A	GUIDE-CASS. DOOR;-,-,POM M90-44,-,-,NTR,-,

SEE TLS CATALOG
FOR CYLINDERS,
VIDEO HEADS,
CAPSTAN MOTORS

Parts List - Bottom Side

B238	AC61-50660A	SLEEVE-TENSION;-,-,POMM90-44,-,-,ID3,-,-,
B456	AC66-20576A	GEAR-JOINT 1;-,-,POM SW-01,M1.0,Z22,-,PCD2
B458	AC66-20574A	GEAR-JOINT 2;-,-,POMSW-01,M1.0,Z14,-,PCD1
B462	AC60-10517A	SCREW-TAP TITE;-,-,PH,+,-,M2.6,L5,ZPC,-,YE
B484	AC66-20580A	GEAR-LOADING DRIVE;-,-,POM SW-01,M1.0,Z32,
B488	AC66-30543A	LEVER-S LOAD ASSY;-,-,-,X-9
B500	AC66-30542A	LEVER-T LOAD ASSY;-,-,-,X-9
B560	XXXXXXXXXX	MOTOR-CAPSTAN;DMVCMC07C,-,-,X-9
B570	AC60-10514A	SCREW-CAPSTAN;-,-,PH,+,-,M2.6,L6,-
G542	AC66-60051A	BELT-PULLEY;-,-,5CM-70,2 * 2,-,71.3,-,X-9
K200	AC61-21012A	HOLDER-CLUTCH ASSY;-,-,-,X-9
K221	AC66-20581A	GEAR-CENTER ASSY;-,-,POM,M=0.5,-,HIGHT T,
K222	AC60-30306A	WASHER-SLIT;-,-,ID2.1,OD5.0,T0.5,-,POLYS
K225	AC66-30547A	LEVER-UP DOWN ASSY;-,-,POM+SUS,-,-,-,X-9

SEE TLS CATALOG
FOR CYLINDERS,
VIDEO HEADS,
CAPSTAN MOTORS