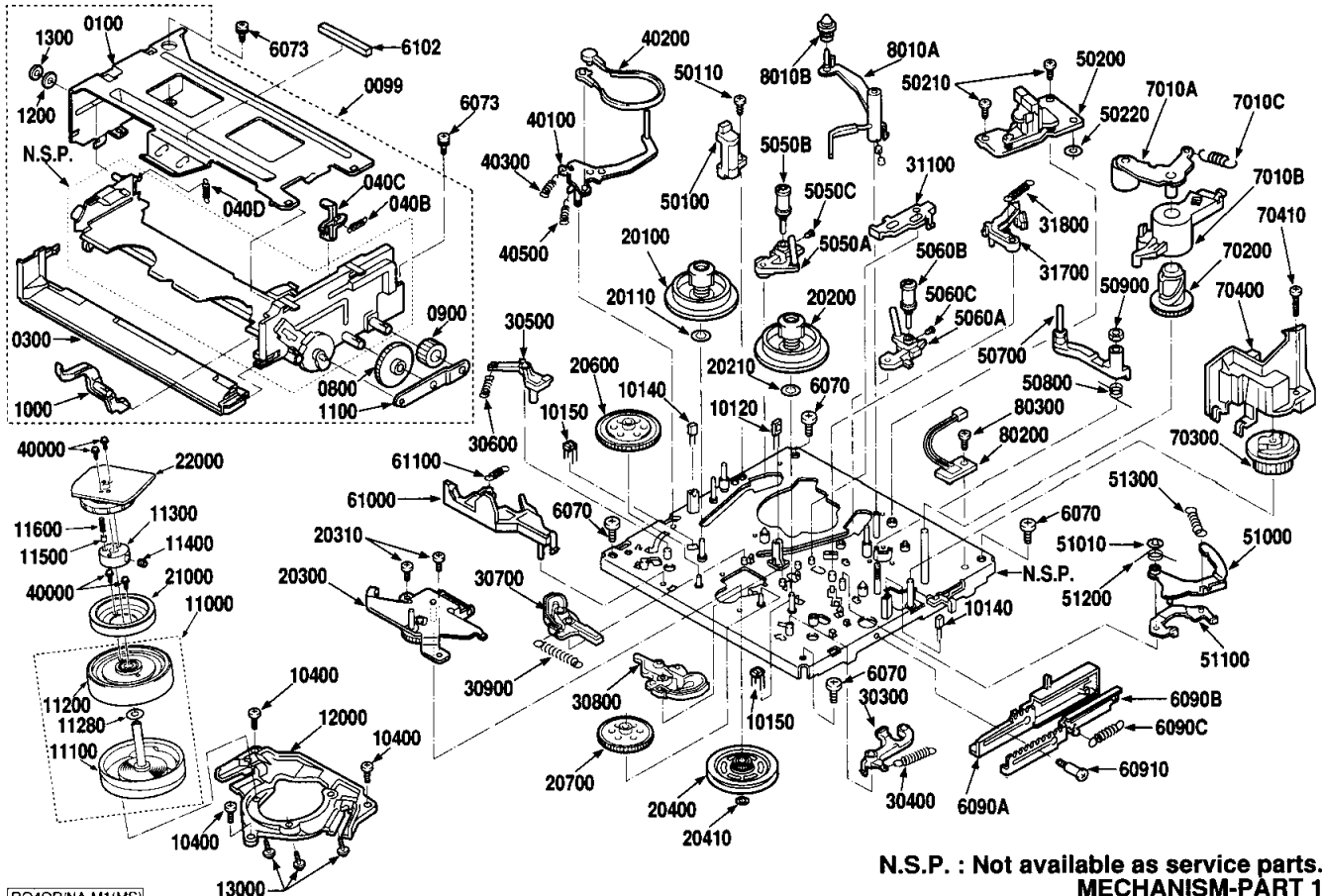


MECHANISM PARTS

LOCATION	PARTS NO.	DESCRIPTION	LOCATION	PARTS NO.	DESCRIPTION
MECHANISM PARTS 1			SEE TLS CATALOG FOR CYLINDERS, VIDEO HEADS, CAPSTAN MOTORS		
11000	SEE TLS CATALOG FOR CYLINDERS, VIDEO HEADS, CAPSTAN MOTORS	COMPL,CYLINDER,2I			
11100		ASSY,CYLINDER,LWI	OR	613 169 3722	ASSY,REEL SUPPLY
11200		ASSY,CYLINDER,UPP	20110	412 015 8603	SPECIAL WASHER 3.1X6X0.25
11280	613 182 6366	SPACER,CYLINDER	20200	613 160 4193	ASSY,REEL TAKE UP
11300	613 189 9124	MOUNTING,MOTOR,CYLINDER	OR	613 168 1514	ASSY,REEL TAKE UP
OR	613 182 6311	MOUNTING,MOTOR,CYLINDER	20210	412 021 5306	SPECIAL WASHER 3.1X6X0.3
11400	411 158 0208	SCR SET HEX-SCT 4X6	OR	412 015 8900	SPECIAL WASHER 3.1X6X0.4
11500	613 182 6229	EARTH,CHIP,CYLINDER	OR	412 015 8504	SPECIAL WASHER 3.1X6X0.5
11600	613 182 6533	SPRING,EARTH,CYLINDER	20300	613 175 0661	COMPL,MOUNTING CLUTCH
12000	613 176 9533	MOUNTING,CYLINDER	OR	613 171 6896	COMPL,MOUNTING CLUTCH
13000	412 048 8601	SPECIAL SCREW-2.6X7	20310	412 048 7505	SPECIAL SCREW-2.6X4
21000	645 035 8043	MOTOR,ROTOR,CYL DC 2W VC	20400	613 151 9701	PULLEY,REEL
22000	645 048 6647	MOTOR,STATOR,CYL DC 2W VN	20410	412 045 4606	SPECIAL WASHER 2.4X6X0.25
40000	412 036 5001	SPECIAL SCREW 2.3X6	20600	613 152 2749	GEAR,REEL S
10400	412 048 8106	SPECIAL SCREW-2.6X8	20700	613 152 2756	GEAR,REEL T
6073	412 048 8205	SPECIAL SCREW-2.6X6	30300	613 160 3356	ASSY,BRAKE SOFT T
6102	613 151 6618	PAD	30400	613 152 0295	SPRING,SOFT T
0099	613 185 4055	COMPL,CASSETTE MECHANISM	30500	613 151 9411	LEVER,SOFT S
0100	613 152 0738	STAND L	30600	613 152 0318	SPRING,SOFT S
0300	613 152 0660	FRAME UNDER	30700	613 189 8868	ASSY,BRAKE,S 90
040B	613 152 0417	SPRING,LID OPENER	30800	613 189 8875	ASSY,BRAKE,T 90
040C	613 152 0707	LEVER,RELEASE	30900	613 191 7040	SPRING,BRAKE 90
040D	613 152 0424	SPRING,TRAY LOCK	31100	613 152 0189	SLIDE,ACT BRAKE T
0800	613 152 2794	GEAR,LOCK	31700	613 175 4843	ASSY,BRAKE CAPSTAN TL
0900	613 152 2800	GEAR,PINION	31800	613 182 8377	SPRING,BRAKE CAPSTAN
1000	613 151 9480	LEVER,DOOR OPENER	40100	613 151 8759	ASSY,LEVER,BT
1100	613 151 9299	HOLDER,GEAR	40200	613 160 5282	ASSY,BRAKE,BAND
1200	411 008 5001	WASHER F 4X8X0.8	40300	613 176 5610	SPRING,BT MAIN TL
1300	411 109 2008	WASHER Y 3.1X8X0.5	40500	613 176 5627	SPRING,BT SUB TL
6070	411 021 7907	SCR S-TPG BIN 4X12	50100	645 023 0943	HEAD,ERASE FULL
10120	407 162 1102	LED LN59L	50110	412 048 9707	SPECIAL SCREW-2.6X10
10140	407 162 8705	PHOTO DIODE PN263L-(NC)	50200	613 190 8246	ASSY,HEAD R/P ACE
10150	407 165 8108	PHOTO COUPLE SG-105F	50210	412 052 3500	SPECIAL SCREW 2.6X12
OR	407 043 0101	PHOTO DIODE ON2170-R	50220	412 015 8603	SPECIAL WASHER 3.1X6X0.25
			5050A	613 151 8858	ASSY,MOUNTING,INCLINE S
			5050B	613 022 0233	ASSY,GUIDE,ROLLER



N.S.P. : Not available as service parts.
MECHANISM-PART 1

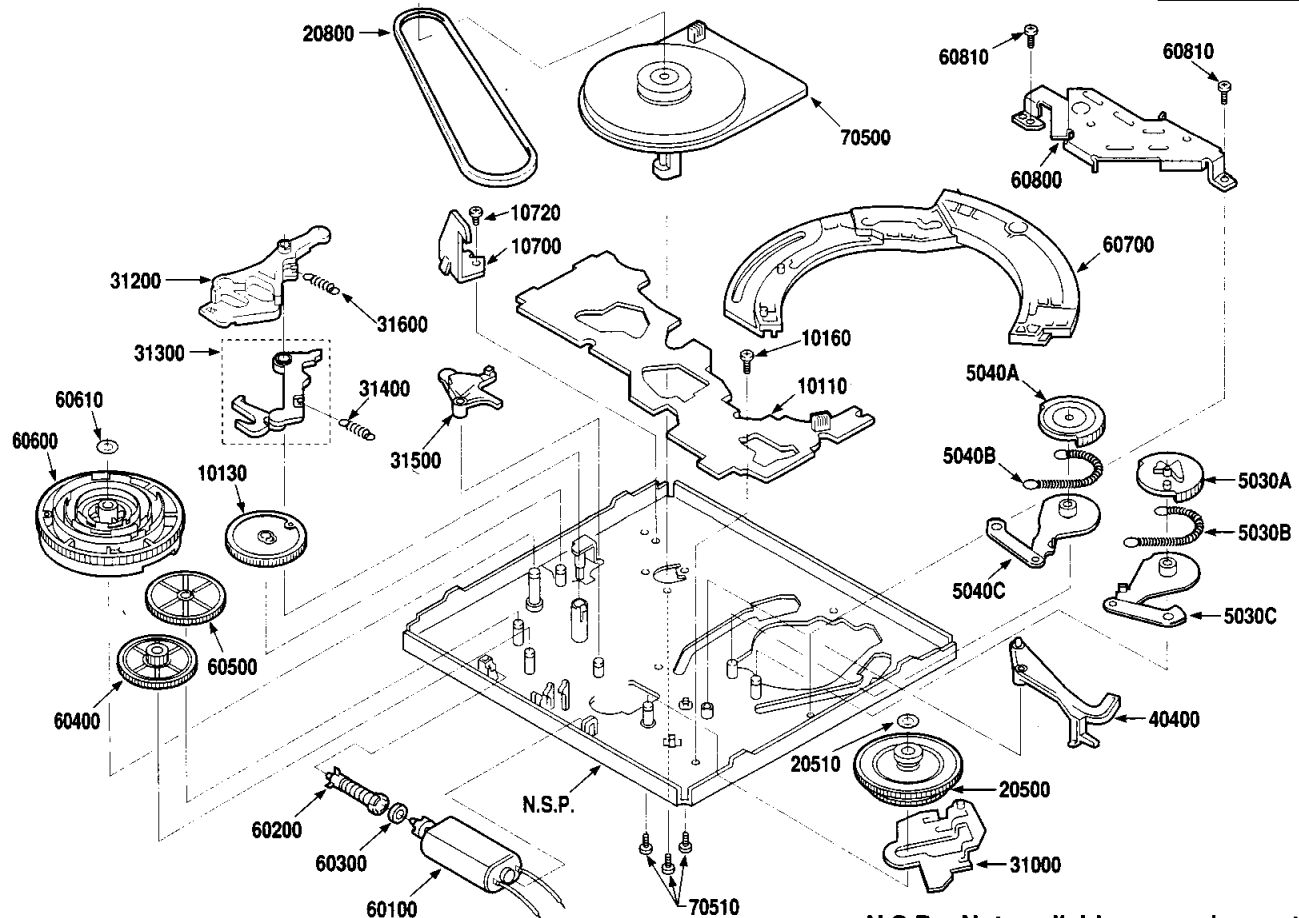
LOCATION	PARTS NO.	DESCRIPTION
5050C	412 048 4504	SPECIAL SCREW-2X3
5060A	613 151 8872	ASSY,MOUNTING INCLINE T
5060B	613 022 0233	ASSY,GUIDE,ROLLER
5060C	412 048 4504	SPECIAL SCREW-2X3
50700	613 175 6472	ASSY,LEVER,LOAD TL
50800	613 152 0387	SPRING,LEVER L GUIDE
50900	412 048 8908	SPECIAL NUT-3X3
51000	613 175 6489	ASSY,LEVER ACT L-GUIDE TL
51010	412 033 4502	WASHER SLIT 2.6X8X0.50
51100	613 175 6496	ASSY,LEVER STOPPER TL
51200	613 176 3043	SPRING,ACT L GUIDE TL
51300	613 176 3050	SPRING,STOPPER TL
6090A	613 151 9152	GEAR,RACK FRONT
OR	613 160 4636	GEAR,RACK FRONT
6090B	613 151 9114	GEAR,RACK START
6090C	613 152 0226	SPRING,RACK FRONT
60910	412 050 2802	SPECIAL SCREW-2.6X6
61000	613 151 9398	LEVER,EP SW
61100	613 152 3692	SPRING,EP SW
7010A	613 151 8803	ASSY,LEVER,PINCH ROLLER
7010B	613 182 8308	ASSY,MOUNTING,LIFT JG
7010C	613 152 0233	SPRING,PINCH ROLLER
70200	613 156 3841	CAM,LIFT PINCH
70300	613 182 8322	GEAR,CAM PINCH JG
70400	613 182 8339	MOUNTING,OPENER JG
70410	412 049 1106	SPECIAL SCREW-2.6X16
8010A	613 171 9606	LEVER,CLEANER
8010B	613 171 9439	ASSY,MOUNTING CLEANER
80200	645 049 1412	ASSY,R-SPECIAL,DEW
80300	411 137 0007	SCR L-TPG BIN 3X10

LOCATION	PARTS NO.	DESCRIPTION
10130	613 195 9712	GEAR,RELAY PINCH OPT
10160	412 048 7505	SPECIAL SCREW-2.6X4
10700	613 167 5926	MOUNTING CAPSTAN
10720	412 048 8007	SPECIAL SCREW-2.6X6
20500	613 183 4361	ASSY,GEAR,FRICITION
OR	613 152 2602	ASSY,GEAR,FRICITION
20510	411 109 1605	WASHER Y 2.6X6X0.25
20800	613 151 9039	BELT,REEL
31000	613 152 0165	SLIDE,ACT BRAKE S
31200	613 159 0991	LEVER,CONTROL BRAKE
31300	613 159 0847	COMPL,LEVER,ACT BRAKE
31400	613 152 0332	SPRING,RETURN BRAKE
31500	613 151 9459	LEVER,CHANGE CLUTCH
31600	613 152 0349	SPRING,CHANGE CLUTCH
40400	613 176 5511	ASSY,LEVER SPRING BT TL
5030A	613 152 2763	GEAR,LOAD S
5030B	613 152 0370	SPRING,LOAD S
5030C	613 151 8766	ASSY,LEVER,LOAD S
5040A	613 152 2770	GEAR,LOAD T
5040B	613 152 0363	SPRING,LOAD T
5040C	613 151 8773	ASSY,LEVER,LOAD T
60100	645 003 4305	ASSY,MOTOR,LOADING
60200	613 193 2883	COMPL,GEAR,WORM
60300	613 151 9107	DAMPER
60400	613 151 9138	GEAR,WHEEL 1
OR	613 187 4602	GEAR,WHEEL 1
60500	613 160 3790	GEAR,WHEEL 2
60600	613 195 9705	CAM MAIN OPT N
60610	412 054 6806	SPECIAL WASHER 3.6X0.5
60700	613 182 8360	SLIDE,CRESCENT JG
60800	613 159 8997	MOUNTING,CRESCENT
60810	412 048 8007	SPECIAL SCREW-2.6X6
70500		MOTOR,CAPSTAN DC 3W
70510	412 048 7604	SPECIAL SCREW-2.6X6

MECHANISM PARTS 2

10110 613 181 4967 COMPL PWB,MC-1

SEE TLS CATALOG
FOR CYLINDERS,
VIDEO HEADS,
CAPSTAN MOTORS



N.S.P. : Not available as service parts.
MECHANISM-PART 2