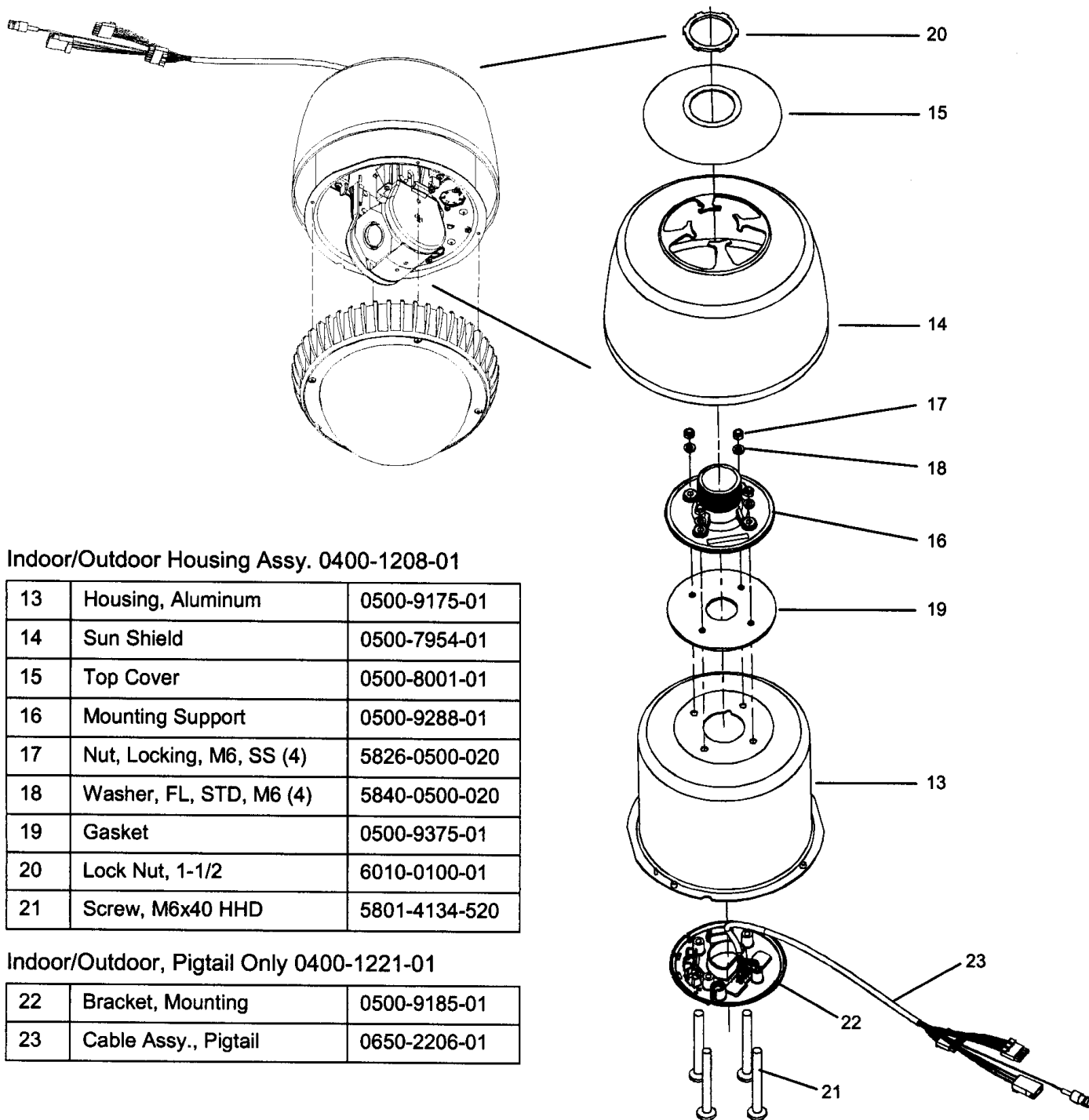


Hard Ceiling Housing Assy. 0400-1246-01

1	Housing, Aluminum	0500-9175-02
2	Mounting Clips (4)	0500-9317-01
3	Cover, Hard Ceiling	0500-9118-01
4	Nut, M4 Elastic Stop (4)	5826-0300-011
5	Screw, M4x70, PHP (4)	5801-2191-111
6	Washer, FL, STD, M6 (4)	5826-0500-020
7	Washer, M6 (4)	5840-0500-020
8	Cable Tie Holder	6009-0076-01
9	Lanyard	0500-9320-01

Hard Ceiling, Pigtail Only 0400-1221-02

10	Cable Tie, Nylon	6009-0002
11	Bracket, Mounting	0500-9185-01
12	Cable Assy., Pigtail	0650-2206-01



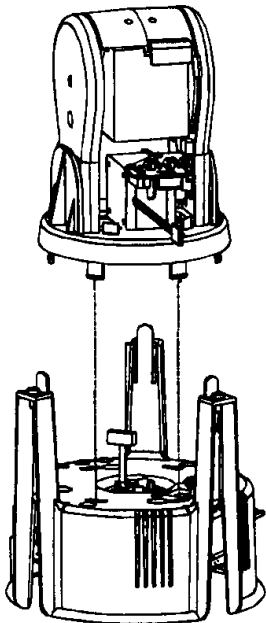
Indoor/Outdoor Housing Assy. 0400-1208-01

13	Housing, Aluminum	0500-9175-01
14	Sun Shield	0500-7954-01
15	Top Cover	0500-8001-01
16	Mounting Support	0500-9288-01
17	Nut, Locking, M6, SS (4)	5826-0500-020
18	Washer, FL, STD, M6 (4)	5840-0500-020
19	Gasket	0500-9375-01
20	Lock Nut, 1-1/2	6010-0100-01
21	Screw, M6x40 HDD	5801-4134-520

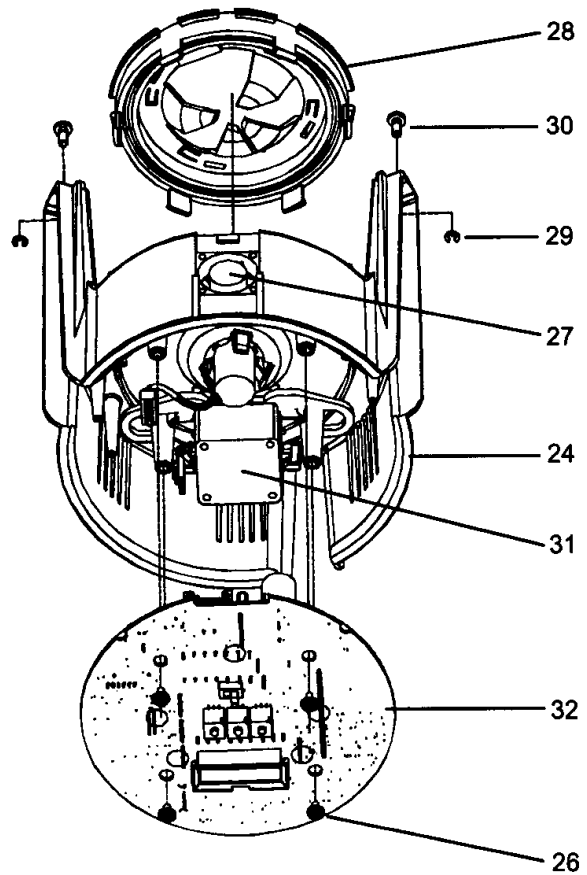
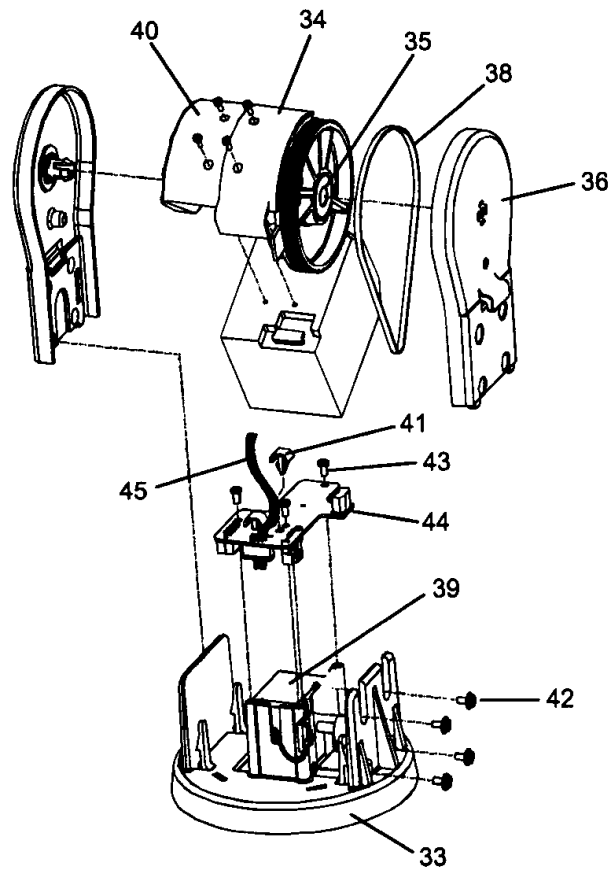
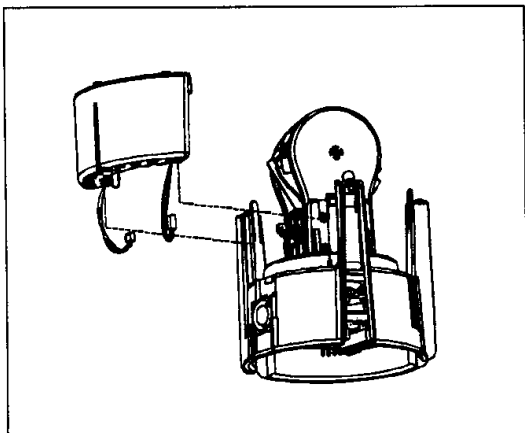
Indoor/Outdoor, Pigtail Only 0400-1221-01

22	Bracket, Mounting	0500-9185-01
23	Cable Assy., Pigtail	0650-2206-01

Tilt Assy. 0400-1207-01/-02



Base Assy. 0400-1203-01



Base Assy. 0400-1203-01

24	Base, Pan	0500-9109-01
25	Slip Ring	2100-0006-01
26	Screw, PWHP, M3x8 (4)	5899-0066-13
27	Cable Assy., Fan	0650-2001-01
28	Bearing, Pan	2510-0040-01
29	E-Rings (3)	5899-0079-01
30	Captive Screw, M4 (3)	0500-9319-01
31	Pan Motor Assy.	0400-1240-01
32	PCB, Dome System	0301-1516-01

Tilt Assy. 0400-1207-01 (NTSC), -02 (PAL)

33	Base, Tilt	0500-9110-01
34	Gear, Camera Base	0500-9112-01
35	Tilt Bearing (2)	2510-0043-01
36	Tilt Upright (2)	0500-9168-01
37	Camera, Hitachi VK-S144	2003-0037-xx
38	Timing Belt	2500-0041-01
39	Tilt Motor with Pully	3501-0024-01
40	Screw, Mach., M2x6 (4)	5801-0041-120
41	Rivet, Push-In, NY, PCB (2)	2873-0035-01
42	Screw, PWHP, M3x8 (4)	5899-0066-13
43	Screw, PT, M3x6, OHP (3)	5899-0046-28
44	PCB, Tilt Sensor	0301-1524-01
45	Ribbon Cable, 20mm, Blk	6007-0039-03