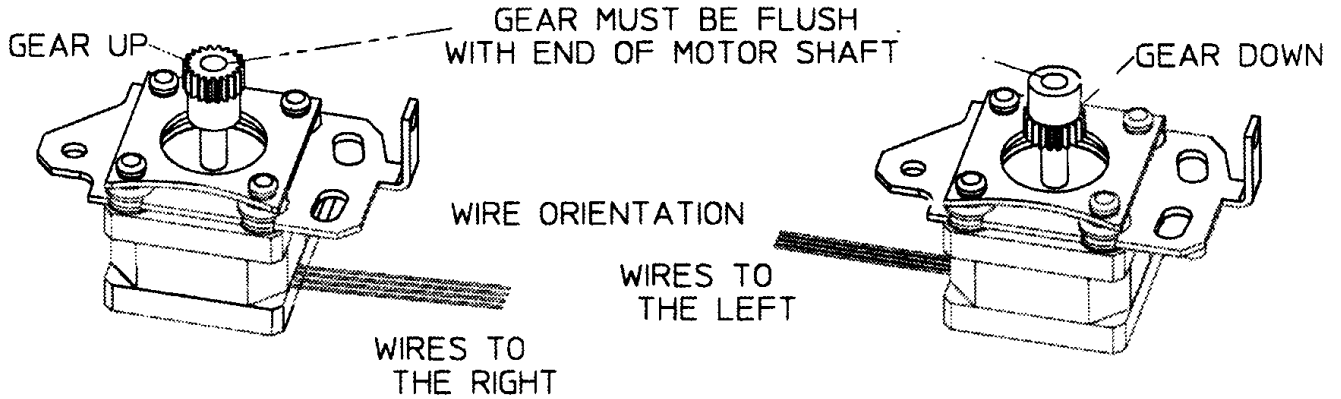
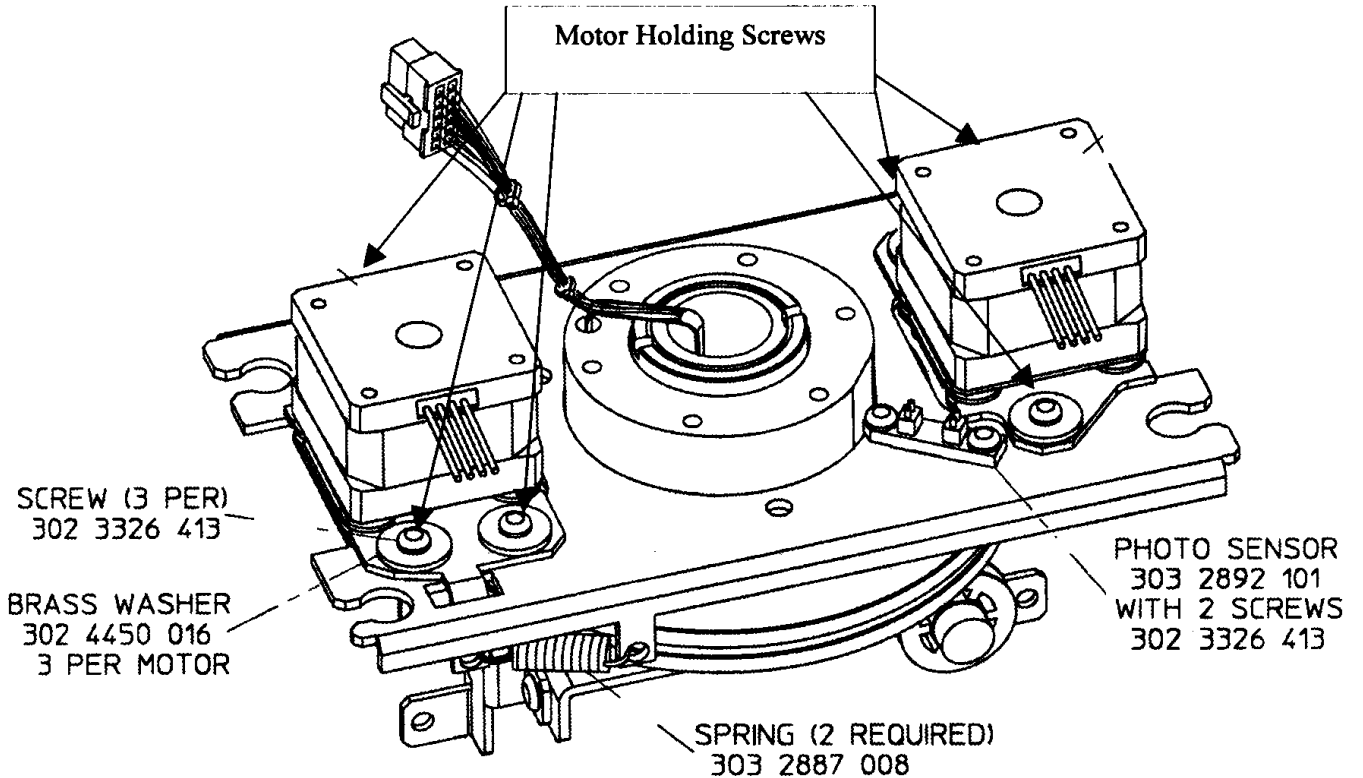


# MOTOR / MAIN PLATE ASSEMBLY



303-3055-501  
Tilt Motor

303-3055-502  
Pan Motor



			LTC 0809/10	LTC 0809/20	LTC 7460/20	LTC 7460/50	LTC 7460/60	LTC 7471/20	LTC 7471/50	LTC 7471/60	LTC 7473/20	LTC 7473/50	LTC 7473/60
	Drawing No.	Service Code	Description										
⚠ ⚡	303 2966 003		x	x									
⚠ ⚡	303 3050 501			x									
⚠ ⚡	303 3050 502		x										
⚠ ⚡	303 2892 101		x	x									
⚠ ⚡	303 2867 001		x	x									
⚠ ⚡	303 3055 501		x	x									
⚠ ⚡	303 3055 502		x	x									
⚠ ⚡	RPR 0809 501		x	x									
⚠ ⚡	303 3061 501						x						
⚠ ⚡	303 3061 502					x							
⚠ ⚡	303 3061 503				x								
⚠ ⚡	303 3061 504							x	x	x	x	x	x
⚠ ⚡	302 9191 001		x	x									
⚠ ⚡	303 2996 008				x	x	x	x	x	x	x	x	x
⚠ ⚡	303 3062 501				x	x	x						
⚠ ⚡	303 8085 013								x				x
⚠ ⚡	302 8085 010	5322 252 11333						x		x	x	x	x
⚠ ⚡	302 8085 020	5322 252 11335						x			x	x	x
⚠ ⚡	303 0475 002	5322 256 10487						x	x	x	x	x	x
⚠ ⚡	303 2313 101	5322 146 10959									x	x	x
⚠ ⚡	303 2332 101							x			x		
⚠ ⚡	303 2353 002							x	x	x	x	x	x
⚠ ⚡	303 2464 001	5322 259 10298										x	x
⚠ ⚡	303 2464 004	5322 259 10299									x		
⚠ ⚡	303 2465 003	5322 282 10329									x	x	x
⚠ ⚡	303 2465 004	5322 282 10331									x	x	x
⚠ ⚡	303 2470 001	5322 361 11093									x	x	x
⚠ ⚡	303 2521 003	5322 320 12376									x	x	x
⚠ ⚡	RPR 7440A 001	5322 218 11893									x	x	x